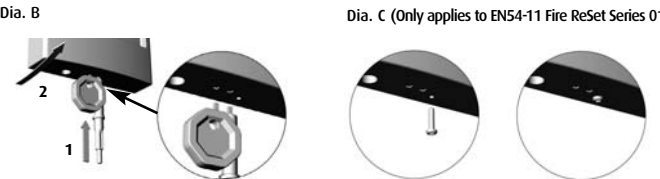
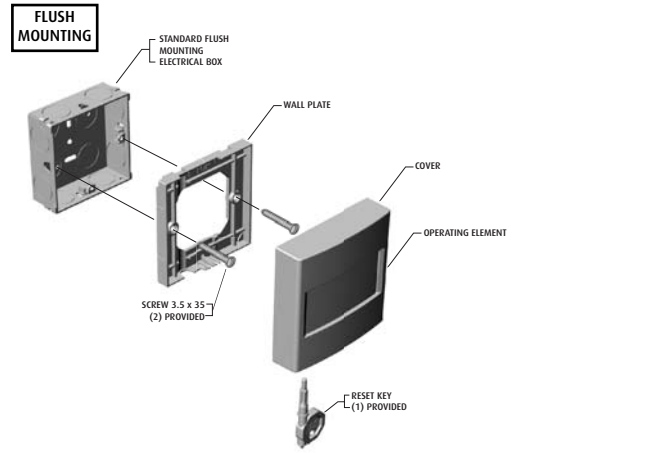
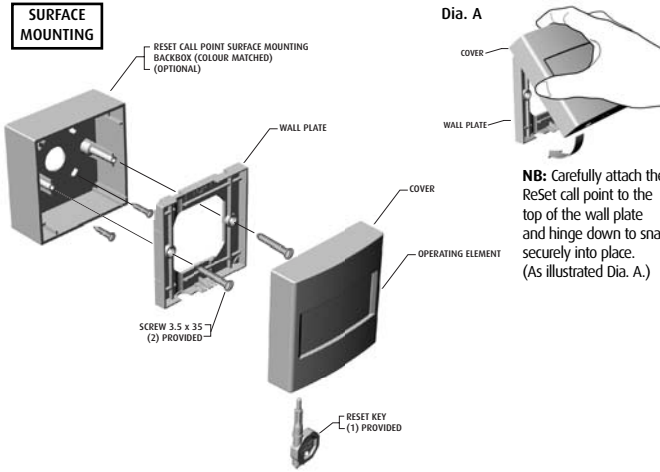


ReSet Call Point (RS) Series 01, 02 & 11

'ReSet' is a unique fire alarm manual call point that mimics the feel of breaking glass whilst offering the user the benefits and safety advantages of a glass-free resettable operating element. Once activated a warning flag drops in to view easily identifying the call point that has been operated. A key can then reset the unit. The 'ReSet' provides an ideal solution for most conventional fire alarm systems. It is ideal for industries that are sensitive to broken glass as well as areas that suffer from a high number of false activations such as schools, shopping centres and other public places.



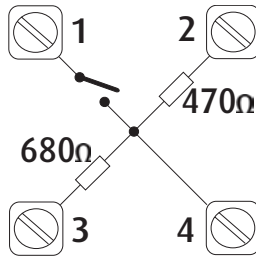
Detaching the lid from the wall plate
 1. Insert key into the bottom of the ReSet lid.
 2. Keep the key inserted and with your hand pull the lid towards you. (As illustrated Dia. B)

NB: For a surface mount installation, please ensure that the security screw supplied with this pack is fitted. (As illustrated Dia. C)

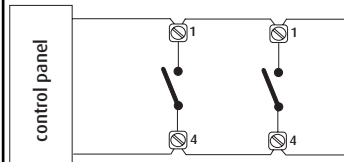


Connection Options for ReSet Call Point Series 01

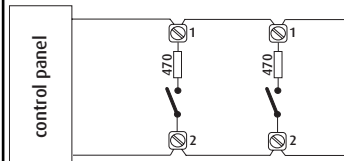
ReSet Series 01 Configuration



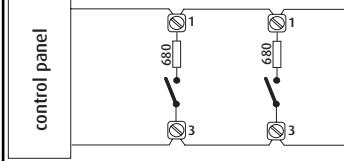
Option 1 terminals 1 & 4
 Normally open switch closing on alarm



Option 2 terminals 1 & 2
 Normally open switch closing on alarm with a 470 ohm resistor fitted inseries with the switch



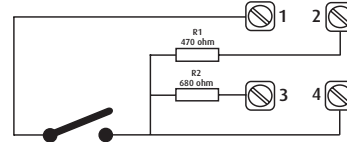
Option 3 terminals 1 & 3
 Normally open switch closing on alarm with a 680 ohm resistor fitted inseries with the switch



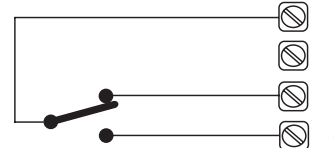
Technical Data for ReSet Call Point (RS) Series 01, 02 & 11

ReSet Series 01, 02 & 11

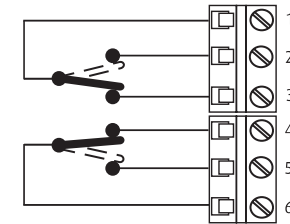
Series 01
 Denotes a ReSet call point that will interface with most conventional fire alarm systems. It is fitted with two internal resistors 470 and 680 ohm. These are easily accessed through the installer terminals as illustrated.



Series 02
 Denotes a ReSet call point that is fitted with a single pole changeover switch both the normally open and normally closed contacts are easily accessed through the installer terminals as illustrated.



Series 11
 Denotes a ReSet call point that incorporates two independent single pole changeover switches providing double pole changeover contacts. Easily accessed through installer terminals as illustrated.



NB: Switch arrangements shown with ReSet in standby.

Specifications

Current Rating (All Series)	3 Amps 12 - 24V DC
Current Rating (Series 02 & 11)	3 Amps 125 - 250V AC
Low Current Rating* (All Series)	1 - 100 mA 5 - 12V DC
*Gold contacts are especially suitable for low current and voltages. Typically they are used in the range from 5v, 1 mA DC to 12v 100 mA DC	0.1 Amps 125 - 250V AC
Housing and Mounting Box Material	Polycarbonate
Electrical Contact Material	Silver plated brass
Operating Temperature	-20°C to +65°C
Installation Terminal Conductor Size	0.5mm - 2.5mm
Humidity (no condensation)	0 to 95% Relative humidity

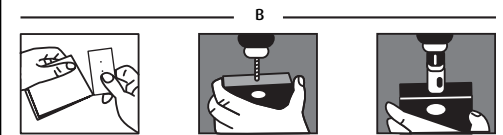
Methods of Mounting

Flush installations

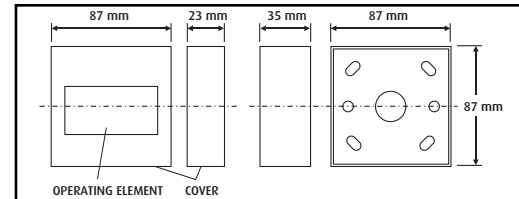
The ReSet is provided with a wall plate that is designed to fit directly onto a standard UK single 35mm deep flush box. Secure the wall plate to the flush mount box with the screws provided. Carefully attach the ReSet call point to the top of the wall plate and hinge down to snap securely into place. (See Dia. 'A' over).

Surface Installations (RS)

The ReSet can be supplied complete with its own surface mounting back box, 20mm entry holes can be easily cut using the template provided on each pack box. (See ill. 'B' below). With the screws provided, fix the back box to the wall and secure the wall plate to the back box. Carefully attach the ReSet call point to the top of the wall plate and hinge down to snap securely into place. (See Dia. 'A' over). For EN54-11 Fire ReSet Series 01 ensure that the security screw is fitted. (See Dia. 'C' over).



Dimensions



Safety Technology International, Inc.

2306 Airport Road · Waterford · Michigan · 48327-1209
 Phone: 248-673-9898 · Fax: 248-673-1246
 Toll Free: 0800-888-4784 · E mail: info@sti-usa.com · Web Site: www.sti-usa.com

