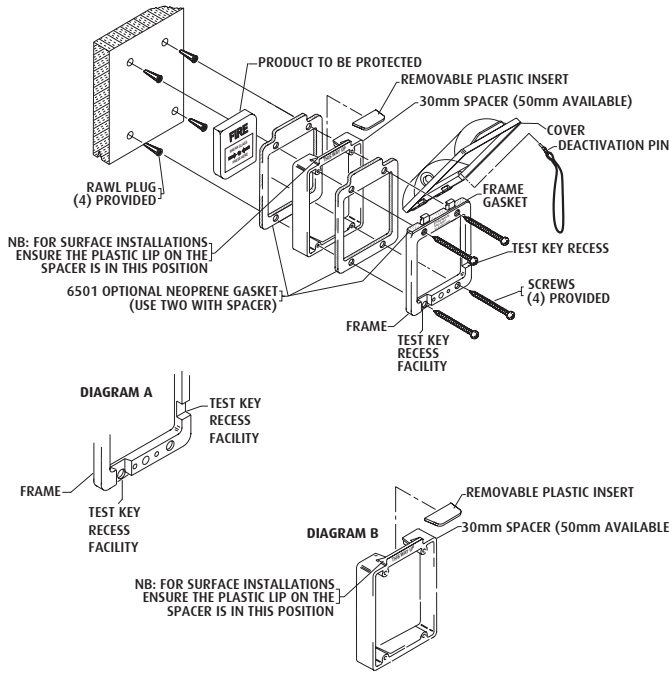


STOPPER

The Stopper, a unique device, has been helping stop false alarms around the world for decades, without restricting legitimate operation of devices such as fire alarm break glass call points. It consists of a clear, tamper-proof, tough polycarbonate cover and frame that fits over the device to be protected. When lifted to gain access to the device, its optional battery powered integral sounder emits a piercing 96 dB. Immediate attention is drawn to the area and a prankster will either run or be caught. To extend the life and reliability of weather exposed devices refer to the STI6534/ STI6535 Weather Stopper.

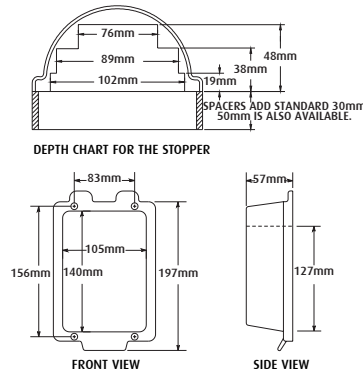


Installation Data for the STI 6530, 6531, 6532 & 6533

1. Position the Stopper frame over the device to be protected. A test key recess facility is located on the right and bottom left of the frame (see diagram A adjacent for details) - ensure that either one lines up with the reset on the device then mark the position for the four fixing screws.
2. Drill the holes, using a 7mm masonry drill bit and assemble the frame and hinge mechanism and fit the Stopper with the wall fixings provided.
3. If a surface spacer is included, ensure that the plastic lip of the spacer is pointing upwards. This will provide a base for the hinge (see diagram B adjacent for details).
4. Ensure the deactivation pin is removed from the alarm unit on those fitted with integral sounder. The pin should be retained, in the event any maintenance work is carried out.
5. The surface spacer provides cable entry facilities for conduit, cable and trunking. A 30mm depth spacer is supplied as standard. An optional 50mm spacer is available.
6. Where an optional weather gasket is positioned between the Stopper frame and spacer. Ensure the adhesive side of the weather gasket is fixed to the spacer and not the Stopper frame.

Replacing the battery (STI 6532 & STI 6533)

To replace the 9V PP3 battery in the alarm unit, replace the deactivation pin, remove the two screws on the underside of the alarm unit and replace battery. Reassemble ensuring to remove the deactivation pin. The pin should be retained.



Stopper Accessories	
STI 6501	Weather Gasket Kit
STI 6503	30 mm Spacer
STI 6504	50 mm Spacer
F021	Tamper Key
E009	De-activation Pin
STI/BS	Breakable seals (pack of 10)
CK5002	Break Seal Conversion Kit

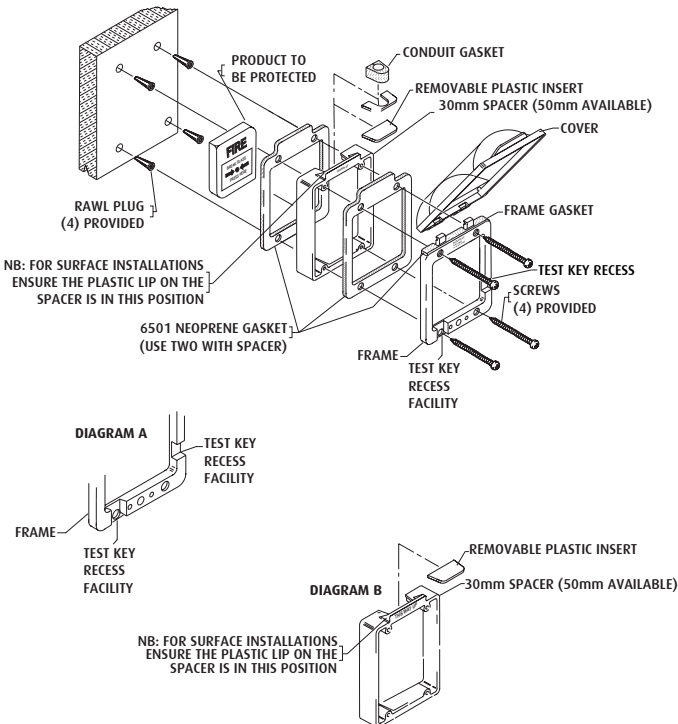
Installation Tools Required
 1. 7mm masonry drill bit
 2. Phillips head screwdriver

ID6530_6534 · Revised 02/05-003 · Printed in England

Need help? Call our Technical Support Team on Freephone 0800 085 1678 (UK) Tel: 44 (0) 1527 520 999 (UK & Europe)

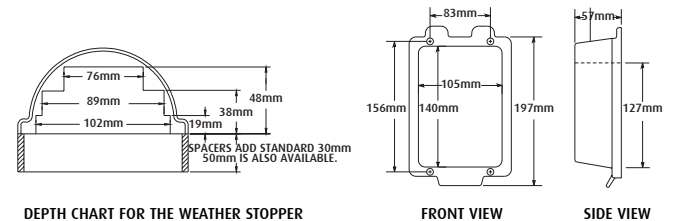
WEATHER STOPPER

The Weather Stopper is a protective cover that is ideal for extending the life and reliability of weather exposed devices, such as manual call points. It offers protection against harsh environments and conditions both outside and inside, as well as preventing tampering, vandalism and damage from accidental operation.



Installation Data for the STI 6534 & 6535

1. Position the Weather Stopper frame over the device to be protected. A test key recess facility is located on the right & bottom left of the frame (see diagram A adjacent for details) - ensure that either one lines up with the reset on the device then mark the position for the four fixing screws.
2. Drill the holes, using a 7mm masonry drill bit.
3. Position the weather gasket over the device, assemble the frame and hinge mechanism and fit the Weather Stopper over the gasket with the fasteners provided.
4. If a surface spacer is to be used, ensure that the plastic lip of the spacer is pointing upwards. This will provide a base for the hinge (see diagram B adjacent).
5. When a surface spacer is used, ensure the extra gasket is fitted between the spacer and frame. The adhesive side of the weather gasket should be fixed to the spacer not the Weather Stopper frame.
6. For surface installations, use the inserts attached to the spacer to blank off any unused cable entry holes. Select and install the appropriate cable gasket for the wiring system installed. Blank gaskets can be supplied and modified on site. The securing of the spacer to the wall will compress the gaskets and seal the unit.



Installation Tools Required
 1. 7mm masonry drill bit
 2. Phillips head screwdriver

Safety Technology International (Europe) Limited
 Unit 49G · Pipers Road · Park Farm Ind. Est. · Redditch
 Worcs · B98 0HU England
 Tel: +44 (0) 1527 520 999 · Fax: +44 (0) 1527 501 999
 E mail: info@sti-europe.com · Web Site: www.sti-europe.com

ID6530_6534 · Revised 02/05-003 · Printed in England

Need help? Call our Technical Support Team on Freephone 0800 085 1678 (UK) Tel: 44 (0)1527 520 999 (UK & Europe)